

Technical data sheet



Product features

Bain marie electric GN 2/1 - 200 with cabinet

Model	SAP Code	00018728
--------------	-----------------	----------



- Drain type: On the front panel
- Drain: Yes
- Safety drain: Yes
- Material: AISI 304 top plate, AISI 430 cladding
- Protection of controls: IPX4
- Maximum device temperature [°C]: 90

SAP Code	00018728	Power electric [kW]	3.200
Net Width [mm]	800	Loading	230 V / 1N - 50 Hz
Net Depth [mm]	900	Number of GN / EN	1
Net Height [mm]	900	GN / EN size in device	GN 2/1
Net Weight [kg]	49.00	GN device depth	200

Technical data sheet



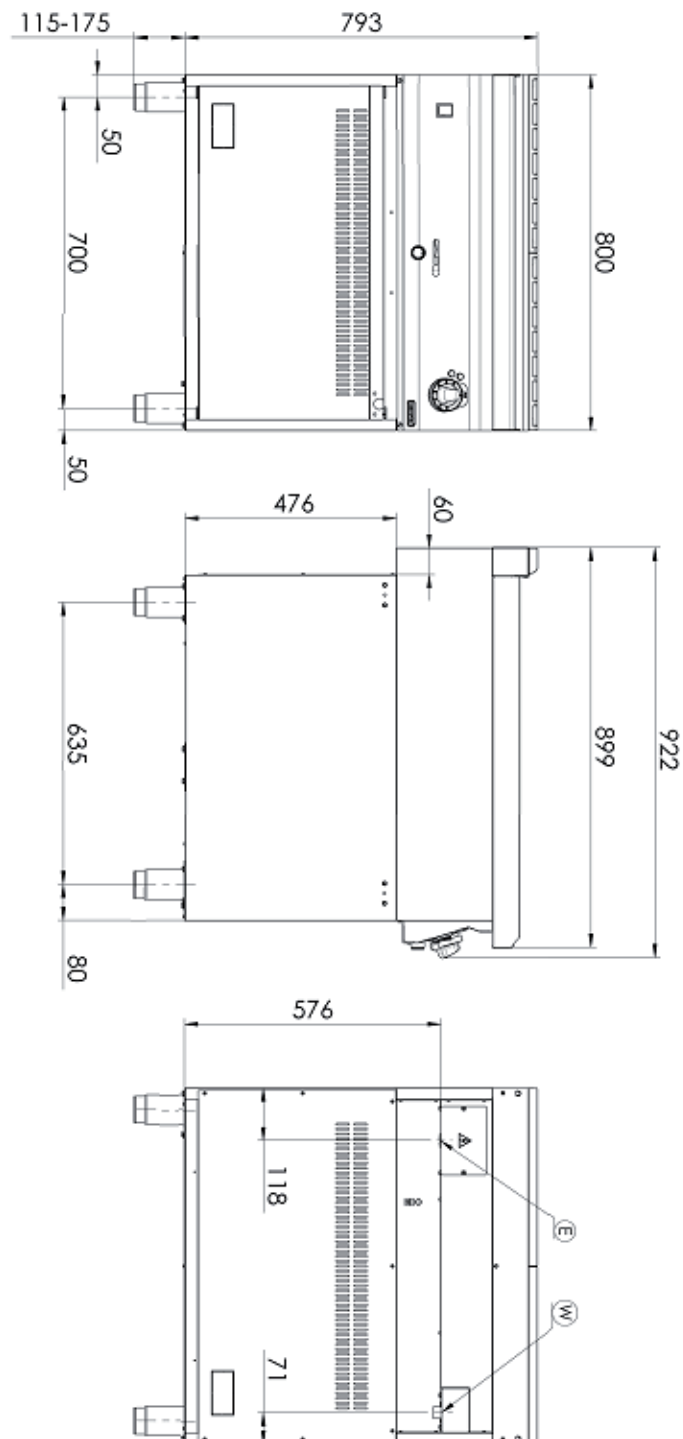
Technical drawing

Bain marie electric GN 2/1 - 200 with cabinet

Model

SAP Code

00018728



Technical data sheet



Technical parameters

Bain marie electric GN 2/1 - 200 with cabinet

Model

SAP Code

00018728

1. SAP Code:

00018728

2. Net Width [mm]:

800

3. Net Depth [mm]:

900

4. Net Height [mm]:

900

5. Net Weight [kg]:

49.00

6. Gross Width [mm]:

860

7. Gross depth [mm]:

990

8. Gross Height [mm]:

1185

9. Gross Weight [kg]:

63.00

10. Device type:

Electric unit

11. Construction type of device:

With substructure

12. Power electric [kW]:

3.200

13. Loading:

230 V / 1N - 50 Hz

14. Protection of controls:

IPX4

15. Exterior color of the device:

Stainless steel

16. Material:

AISI 304 top plate, AISI 430 cladding

17. Indicators:

operation and warm-up

18. Worktop type:

Molded - comfortable cleaning maintenance

19. Worktop material:

AISI 304

20. Worktop Thickness [mm]:

1.50

21. Maximum device temperature [°C]:

90

22. Minimum device temperature [°C]:

30

23. Safety element:

safety element – thermocouple
outlet safety fuse

24. Adjustable feet:

Yes

25. Number of basins:

1

26. Basin material:

AISI 304 - High quality stainless steel

27. Drain type:

On the front panel

28. Drain:

Yes

Technical data sheet



Technical parameters

Bain marie electric GN 2/1 - 200 with cabinet

Model

SAP Code

00018728

29. Safety drain:

Yes

31. GN / EN size in device:

GN 2/1

30. Number of GN / EN:

1

32. GN device depth:

200